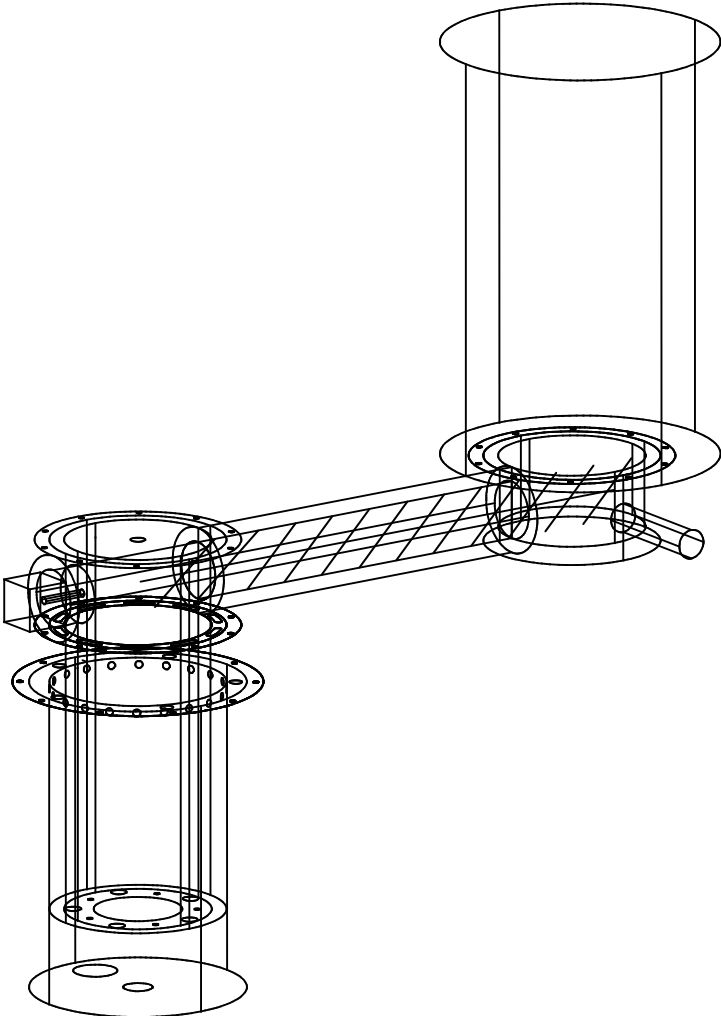


GEK Horizontal Auger Add-on

gas cooling / fuel drying / fuel preheating / fuel metering



Double jacketed reactor hat, auger housing, and hopper base for heat exchange between outgoing gas and incoming solid fuel.

Auger Motor

"Flange to Flange" port plumbing connections (think water jacket on v-8 block to head distribution)

Annular ring holes where rising hot product gas penetrates reactor to continuing rising up insulation sleeve.



Gas out

