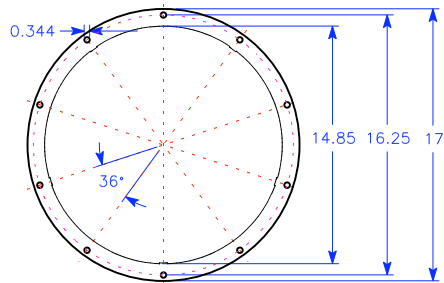


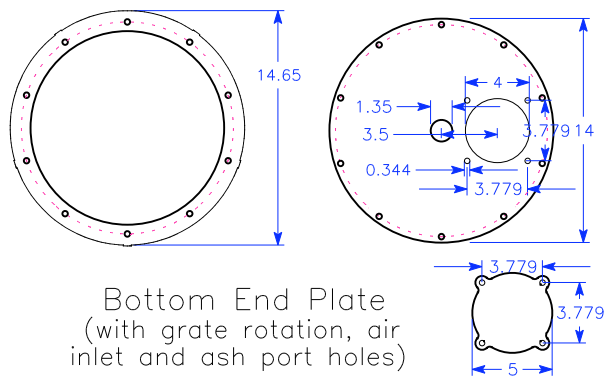
GEK Flange Rings and End Plates v3.0

(Cut from 1/8" mild steel sheet)

Gas Cowling

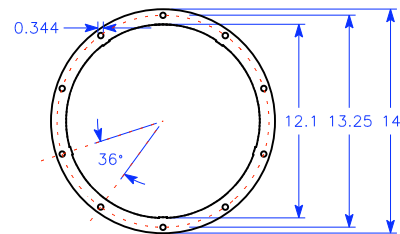


Top Rim Flange

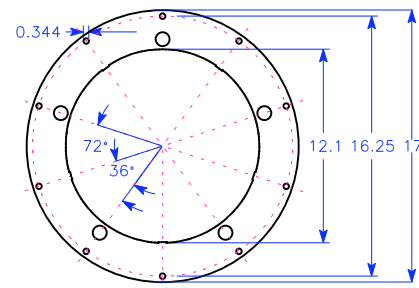


Bottom End Plate
(with grate rotation, air inlet and ash port holes)

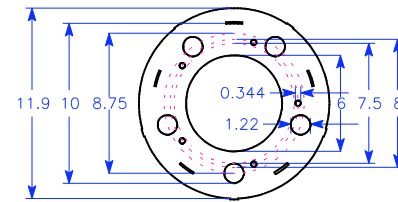
Downdraft Reactor



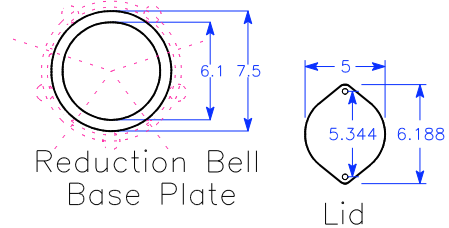
Top Rim Flange



Perimeter Mounting Flange

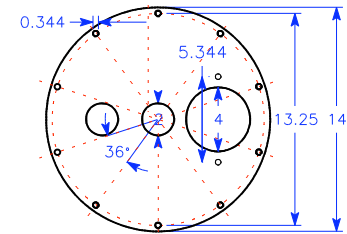


Bottom End Plate



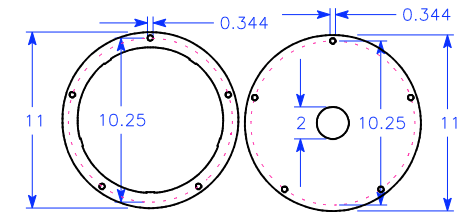
Reduction Bell Base Plate

Lid

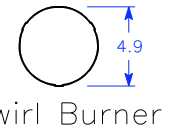


Top Cover for Reactor or Hopper

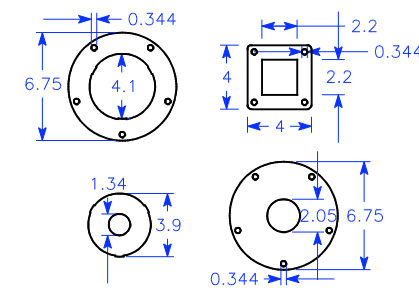
Filter, Cyclone, Burner & Grate



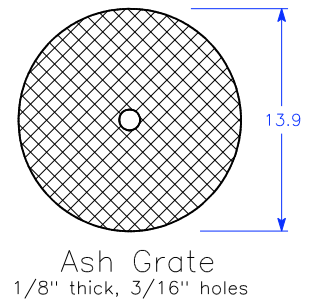
Filter, Mesh & Lid



Swirl Burner



Cyclone Parts



Ash Grate
1/8" thick, 3/16" holes