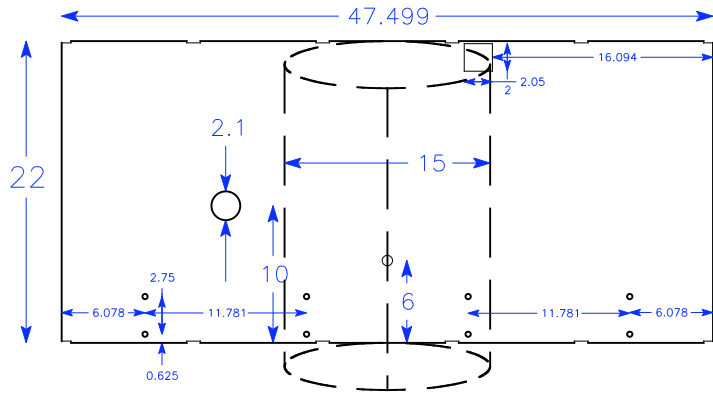
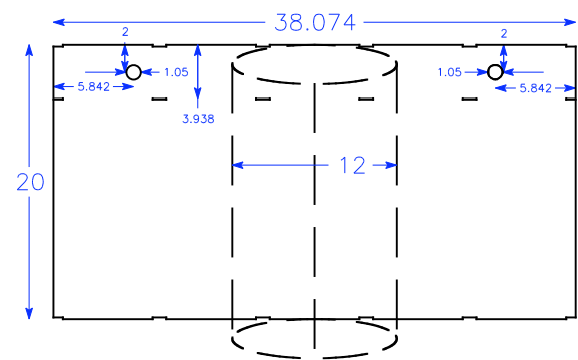


GEK v3.5 Vessel Tubes & Cones

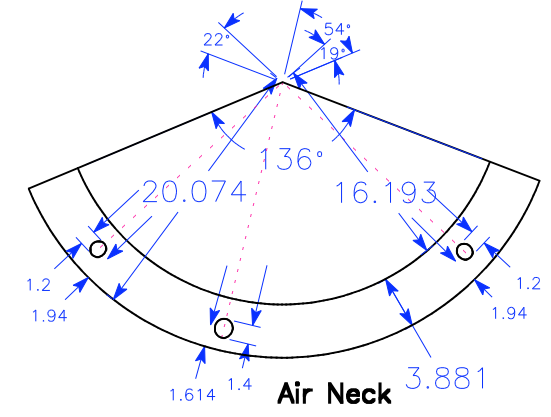
(Cut from 16awg mild steel sheet, except where noted)
 (3/8" sheet overlap at vessel joints, except where noted)



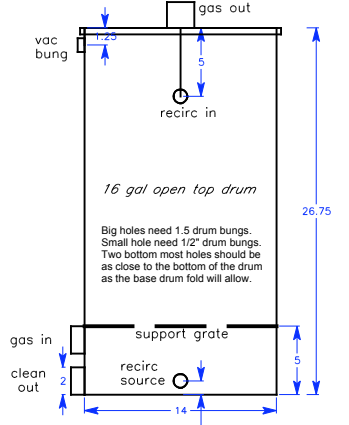
15" Diameter On Center
Gas Cowling



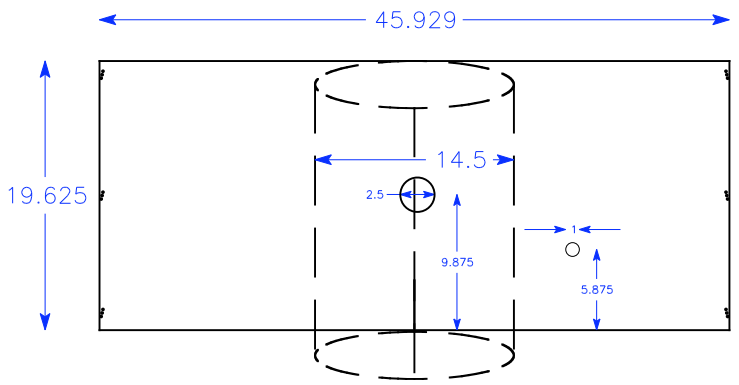
12" Diameter On Center
Downdraft Reactor Outside



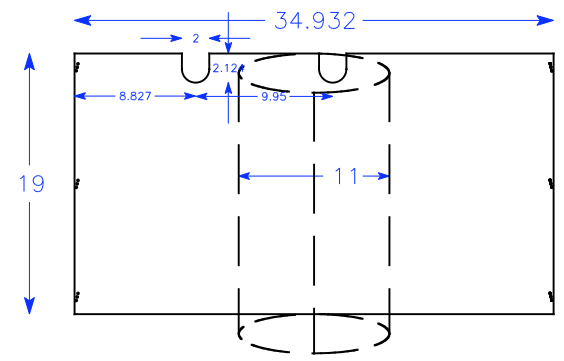
Air Neck



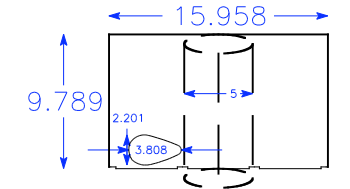
16 gal open top drum
Drum Filter



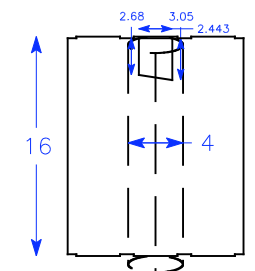
14.5" Diameter On Center
22awg stainless steel
Gas Cowling Inside/Insulation



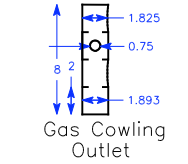
11" Diameter On Center
22awg stainless steel
Downdraft Reactor Inside/Insulation



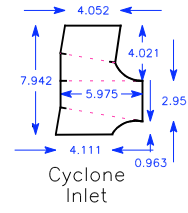
(with 1/4" sheet overlap at joint)
Swirl Burner



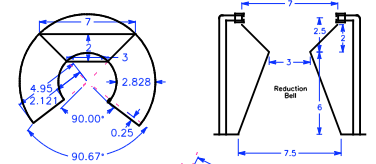
(with 1/4" sheet overlap)
Cyclone



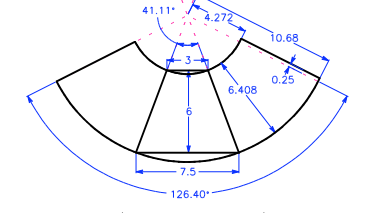
Gas Cowling Outlet



Cyclone Inlet



Reduction Bell



(3 x 6 x 7.5)
Hourglass Hearth

Before building, check for more recent versions at: www.gekgasifier.com
 ALL Power Labs 1010 Murray Street Berkeley, CA 94710. 3/09. jim@allpowerlabs.org
 This design and drawing released under the intentions of the Creative Commons Attribution
 Noncommercial- Share Alike License. For more info on use rights and responsibilities see:
<http://www.gekgasifier.com/wood-gasifier-plans/gek-licensing/>