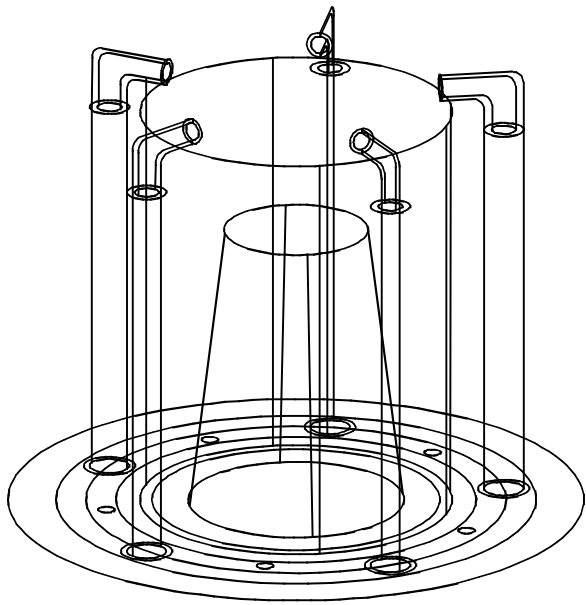
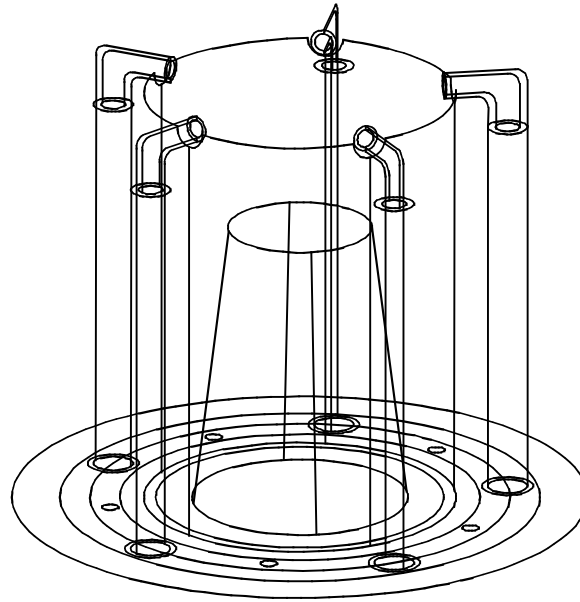


Options for Tar Fence

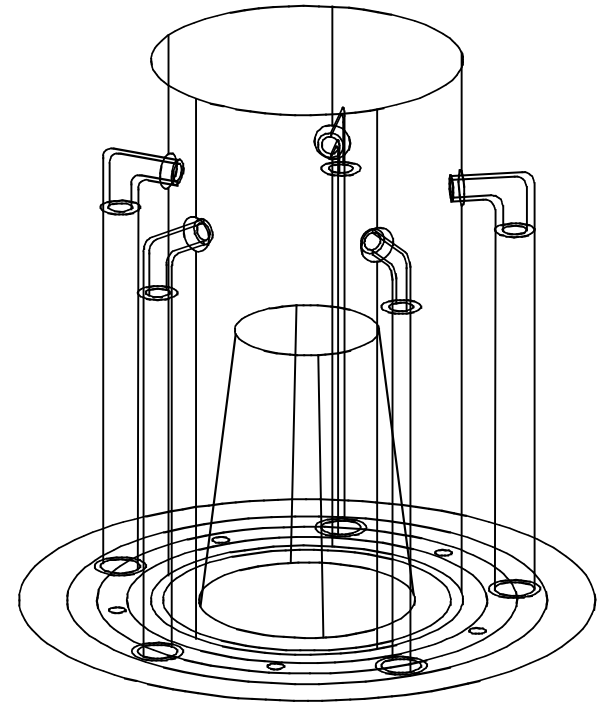
6.5" diameter cylinder of stainless, 0.065" wall
6" nozzle ring. 3"W x 6"T x 4.5"Btm reduction bell



Under nozzles



Mid nozzle with cutouts



Extended fence,
holes for nozzle
penetrations